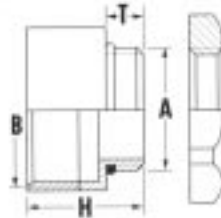


# NPT Hub Kits



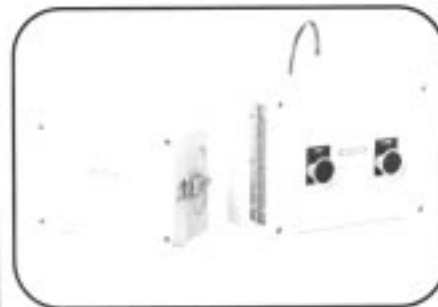
Hub Kits include NPT adapter and nut. Fits knock-out in box. Converts hole which fits Pg thread to a female NPT threaded hub.

## Materials:

Body & Nut: Nickel Plated Brass  
O-Ring: Buna-N

HUB KIT NUMBER	MALE THREAD A	FEMALE THREAD B	WRENCHING FLATS W	THREAD LENGTH T	HEIGHT H
AG-1612-BR-N	Pg 16	1/2" NPT	.94	.26	.91
AG-2112-BR-N	Pg 21	1/2" NPT	1.18	.28	.59
AG-2134-BR-N	Pg 21	3/4" NPT	1.18	.28	.94
AG-2910-BR-N	Pg 29	1" NPT	1.57	.31	.79

# Hinges and Latches (for box sizes 3 to 6)



## Installed:

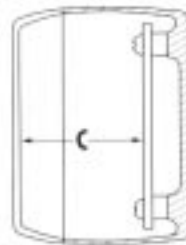
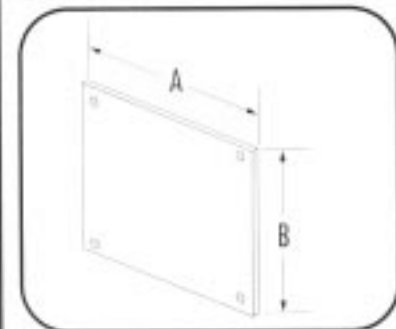
Hinge & 2 Cover Screws: Add -H to Enclosure Part Number  
Hinge & Latch: Add -L to Enclosure Part Number  
Example: KF 9250-L is a basic size 5 Polycarbonate enclosure with installed hinge and latch.

## Kits:

Include hinge and screws or hinge, latch and screws.  
Drilling template enclosed.

BOX SIZE	KIT PART NUMBER	
	Hinge	Hinge & Latch
3	H 9060	L 9060
4	H 9100	L 9100
5	H 9250	L 9250
6	H 9500	L 9500

# Mounting Plates (for box sizes 3 to 6)



Allows easy installation of components outside of enclosure. Kit includes 1/8" plate, 3/16" stand-offs and mounting screws.

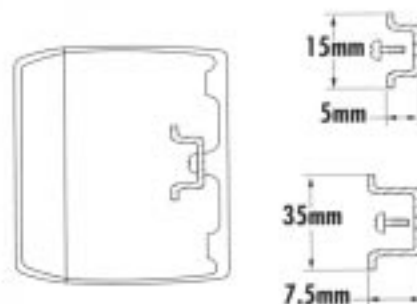
BOX SIZE	PLATE KIT NUMBER	SIZE A x B in (mm)	CLEARANCE C in (mm)
3	K MP 06	4.0 x 3.0 (101 x 76)	1.65 (42)
4	K MP 10	5.0 x 3.5 (127 x 89)	2.13 (54)
5	K MP 25	6.3 x 4.8 (160 x 122)	2.72 (69)
6	K MP 55	10.0 x 6.5 (254 x 165)	3.35 (85)

COPYRIGHT 1999 MARYLAND METRICS

# DIN Rails EN 50 022 (35mm)

# EN 50 045 (15mm)

# CE-HAR-VDE



Meets all European and US standards. Used with snap-on terminal blocks, relays etc. Kit includes rail and screws.

BOX SIZE	DIN RAIL NUMBER	RAIL SIZE (mm)	RAIL LENGTH in (mm)
1	TSD 02	15	2.3 (58)
2	TSD 04	15	3.2 (82)
3	TSK 06	35	4.1 (105)
4	TSK 10	35	6.0 (153)
5	TSK 25	35	7.0 (178)
6	TSK 50	35	11.4 (290)

Dimensions and specifications may be changed without prior notice

HENSEL products from: MARYLAND METRICS

CLICK HERE TO RETURN TO THE HENSEL PAGE INDEX