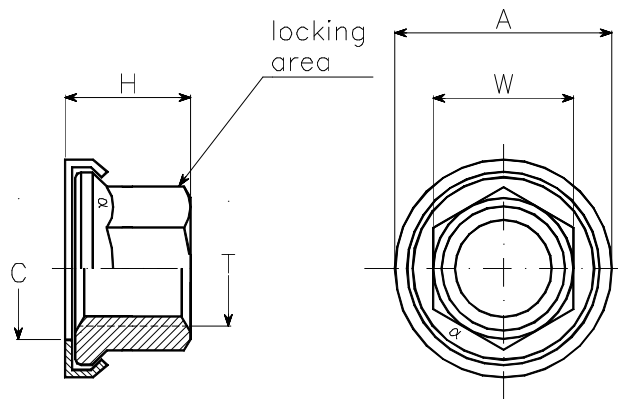


DRS10 DRS11



dimensioni in mm. *dimensions in mm.*

| codice dimensioni dimensions code | filettatura T thread T | A max. | C min. | H max. | W h13 | mass kg x 1000 |
|--|---------------------------|-----------|-----------|-----------|----------|-------------------|
| 03 | M3x0,5 4H-6H | 7,0 | 3,2 | 3,5 | 4 | 0,44 |
| 04 | M4x0,7 4H-6H | 9,0 | 4,3 | 4,6 | 5 | 0,95 |
| 05 | M5x0,8 4H-6H | 10,3 | 5,3 | 5,5 | 6 | 1,32 |
| 06 | M6x1 4H-5H | 12,0 | 6,5 | 6,2 | 7 | 1,80 |
| 07 | M7x1 4H-5H | 13,6 | 7,5 | 6,7 | 8 | 2,70 |
| 08F | M8x1 4H-5H | 14,6 | 8,5 | 7,5 | 10 | 3,85 |
| 08 | M8x1,25 4H-5H | 14,6 | 8,5 | 7,5 | 10 | 3,85 |
| 10F | M10x1,25 4H-5H | 17,4 | 10,6 | 9,0 | 12 | 6,0 |
| 10 | M10x1,5 4H-5H | 17,4 | 11,6 | 9,0 | 12 | 6,0 |

| material code | material | | finish | | hardness HR _c | strenght class | temperature class |
|------------------|----------------------|-------------------------|--------------|--|-----------------------------|-------------------|----------------------|
| | washer | nut | washer | nut | | | |
| DRS10L | W1.7214.4 steel | W1.7220.4 steel | cadmiatura | cadmiatura +MoS ₂ | 44 max. | 1100 MPa | 235° C |
| DRS10C | 25CD4 | 35CrMo4 | | cadmiatura | | | |
| DRS11X | | | | passivazione | | | 650° C |
| DRS11L | W1.4544.9 AISI321 | W1.4944.4 alloy A286 | passivazione | passivazione+ MoS ₂ + green dot | 28-36 | 425° C | |
| DRS11A | | | | argentatura | | 650° C | |

THREAD: according to ISO 5855.
 MARKING: Manufacturer identification symbol α
 PROCUREMENT SPEC. : LN65016
 ASTORI CALL-OUT: material code - dimensions code.

**DADO AUTOFRENANTE,ESAGONO RIDOTTO, RONDELLA INCORPORATA.
 NUT, SELF-LOCKING,REDUCED HEX,CAPTIVE WASHER**

DRS10 DRS11