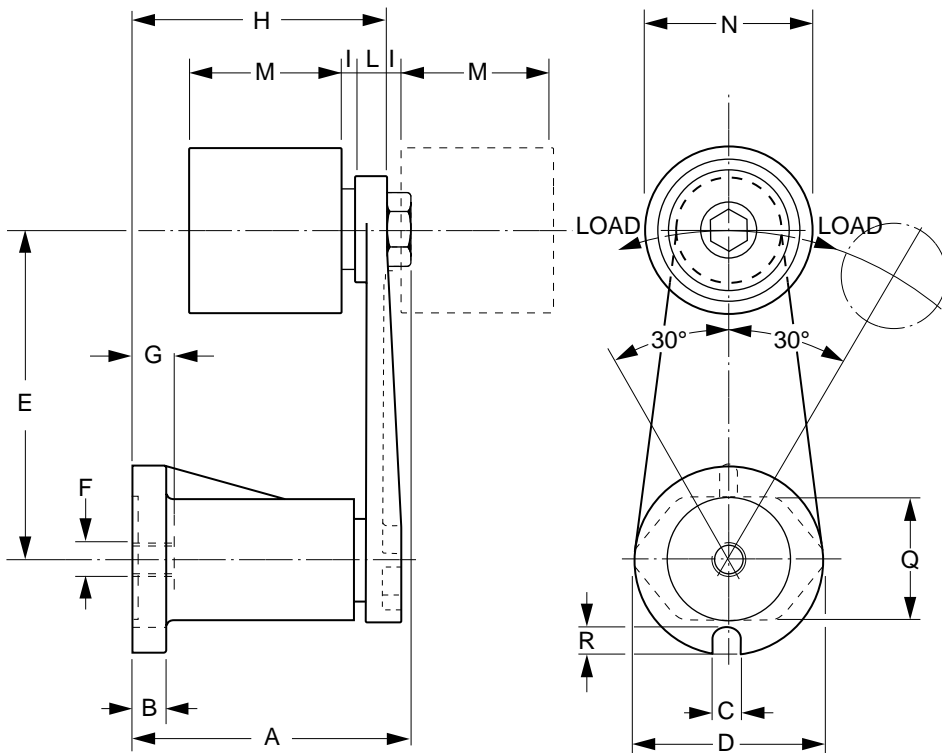




RH-PU Type Tensioner

For Belts – Roller with Ball Bearing
Spring-Loaded



Automatically keeps the tension constant.



MATERIAL: Arm – High-Tensile Die-Cast Aluminum Alloy

Roller – Material Code

- A** Aluminum
- N** Nylon
- S** Steel (Zinc Plated)

MAX. OPERATING TEMPERATURE: 100°C (212°F) – Aluminum and Steel Rollers
60°C (140°F) – Nylon Roller

Catalog Number	Load (N)		A ±1	B	C	D	E	F	G	H ±1	I	L	M	N	Q	R
	Min	Max														
QBT-RHU11130X35 <input type="checkbox"/>	0	100	57	6	8	35	80	M6	8.5	51	2	8	35	30	22	5
QBT-RHU15530X35 <input type="checkbox"/>	0	150	71	8	8.5	45	100	M8	10.5	64	2.5	8	35	30	30	6
QBT-RHU15550X50 <input type="checkbox"/>													50	50	6	
QBT-RHU18850X50 <input type="checkbox"/>	0	300	85	10.5	8.5	58	100	M10	13	78	2.5	10	50	50	37	8
QBT-RHU18860X60 <input type="checkbox"/>													60	60	8	
QBT-RHU27760X60 <input type="checkbox"/>	0	900	114	15	10.5	78	130	M12	17	107	2.5	12	60	60	53	10
QBT-RHU27780X90 <input type="checkbox"/>													90	80	10	

NOTES: Orientation of roller is supplied as shown. End user can reposition if necessary.

Fill in the box with desired material designation to complete part number.

All dimensions are in mm unless otherwise noted.

QTC, Econobelt & Zetasassi products are available from: MARYLAND METRICS
P.O.Box 261 Owings Mills, MD 21117 USA E-mail: sales@mdmetric.com
phones: (410)358-3130 (800)638-1830 faxes: (410)358-3142 (800)872-9329 url: http://mdmetric.com

copyright 2003 maryland metrics/qtc/econobelt/zetasassi