

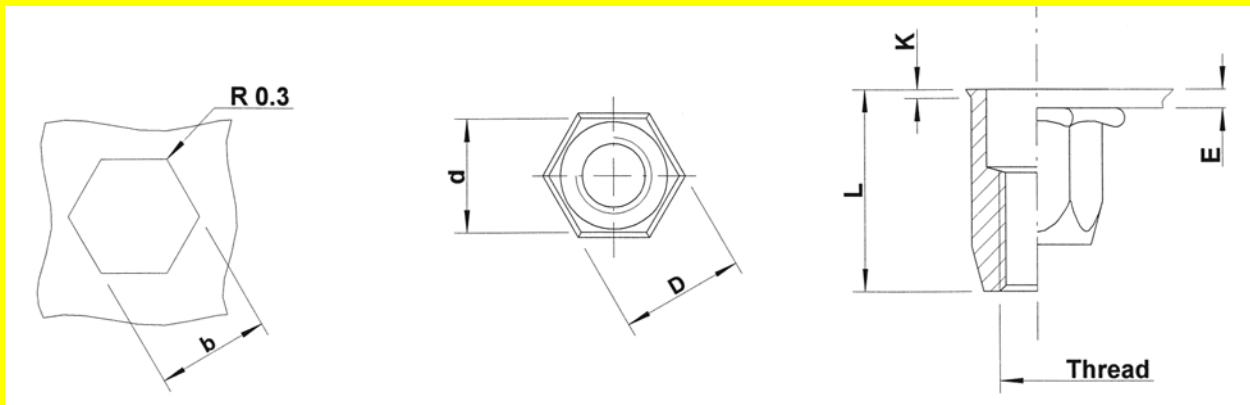
TUBTARA®

Steel

Low profile head
Hexagonal shank
Open end

Zinktop, Cr^{VI}- free (A)
Zinc plated, yellow passivated (B)

HUKO / HSKO



Steel

THREAD	TYPE	E = grip	L	b ^{+0,1} = hex hole	d = hex shank	D = hex head	K	kg/1000	ORDER CODE (A)	ORDER CODE (B)	BOX Q
M4	HUKO20	0,5-2,0	11,0	6,0	6,0	6,6	0,6	1,2	524 629	524 620	7500
M5	HUKO30	0,5-3,0	14,0	7,0	7,0	7,7	0,6	2,0	525 609	525 600	5000
	HUKO55	3,0-5,5	16,5					2,3	525 629	525 620*	4000
M6	HUKO30	0,5-3,0	16,0	9,0	9,0	9,8	0,7	4,2	526 589	526 580	2500
	HUKO55	3,0-5,5	18,5					4,6	526 609	526 600	2000
M8	HUKO30	0,5-3,0	18,0	11,0	11,0	11,8	0,7	6,2	528 549	528 540	1250
	HUKO55	3,0-5,5	20,5					6,9	528 569	528 560	1250
M10	HSKO35	0,8-3,5	23,0	13,0	13,0	13,8	0,7	10,5	520 669	520 660	750
	HSKO60	3,5-6,0	25,5					11,0	520 679	520 670*	700

* **Non-stock item:** minimum order quantity required after depletion of stock

All dimensions in mm

Technical data subject to modification

