

TUBTARA®

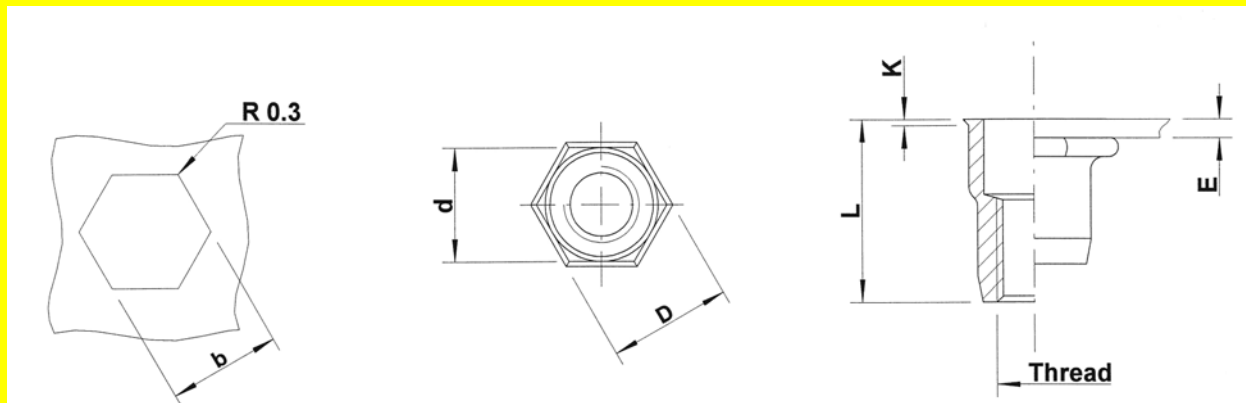
Stainless Steel 304

Low profile head
Semi-hexagonal shank
Open end

HUKO



Stainless Steel 304



THREAD	TYPE	E = grip	L	b ^{+0,1} = hex hole	d = hex shank	D = hex head	K	kg/1000	ORDER CODE	BOX Q
M4	HUKO20	0,5-2,0	11,0	6,0	6,0	6,5	0,5	1,2	544 600	7500
M5	HUKO30	0,5-3,0	12,0	7,0	7,0	7,5	0,5	1,5	545 600	5000
	HUKO50	3,0-5,0	14,0						-	-
M6	HUKO30	0,5-3,0	14,5	9,0	9,0	9,5	0,5	3,3	546 500	3000
	HUKO50	3,0-5,0	16,5						546 525	2500
	HUKO70	5,0-7,0	18,5						546 580*	2000
M8	HUKO30	0,5-3,0	16,0	11,0	11,0	11,5	0,5	4,9	548 300	2000
	HUKO55	3,0-5,5	18,5						-	-

M10: programme in progress

*** Non-stock item: minimum order quantity required after depletion of stock**

All dimensions in mm

Technical data subject to modification

