

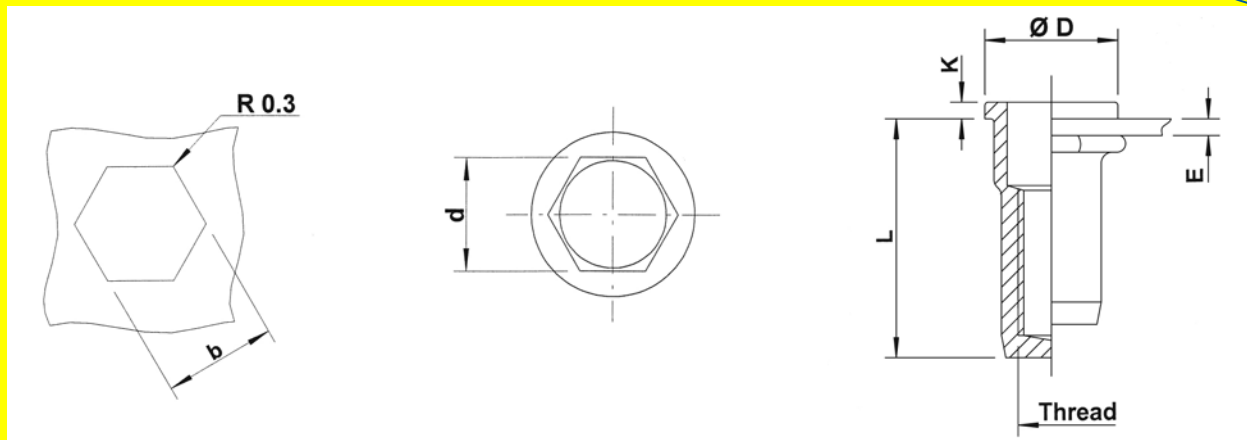
TUBTARA®

Stainless Steel 316 (contains > 2% Molybden)

extra high
corrosion resistance

Flat head
Semi-hexagonal shank
Closed end

HUPX



Stainless Steel 316

THREAD	TYPE	E = grip	L	b ^{+0,1} = hex hole	d = hex shank	D	K	kg/1000	ORDER CODE	BOX Q
M4	HUPX20	0,5-2,0	15,0	6,0	6,0	9,0	1,0	2,2	554 520	-
M5	HUPX30	0,5-3,0	17,5	7,0	7,0	10,0	1,0	3,0	555 520	1500
M6	HUPX30	0,5-3,0	21,5	9,0	9,0	12,0	1,5	6,6	556 470	750
M8	HUPX30	0,5-3,0	23,5	11,0	11,0	15,0	1,5	9,6	558 260	500

M10: programme in progress

Availability & other versions: please contact our Sales Department

All dimensions in mm

Technical data subject to modification

